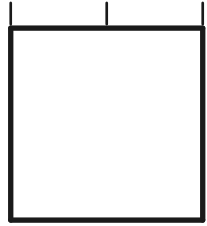


0 1/2" 1"

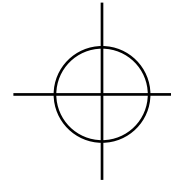


T1 HD DIESEL LOWER AIR BOX

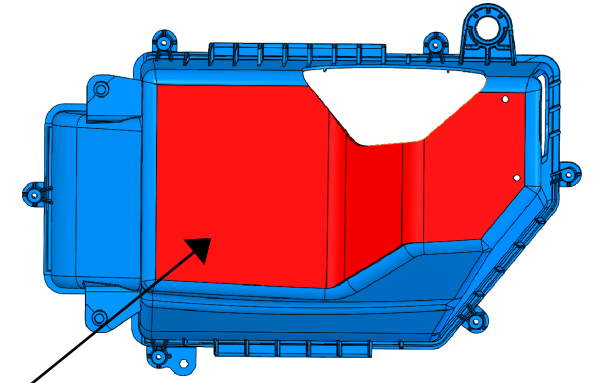
ATHZ1013AA

1" Square for Scale

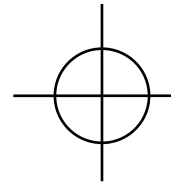
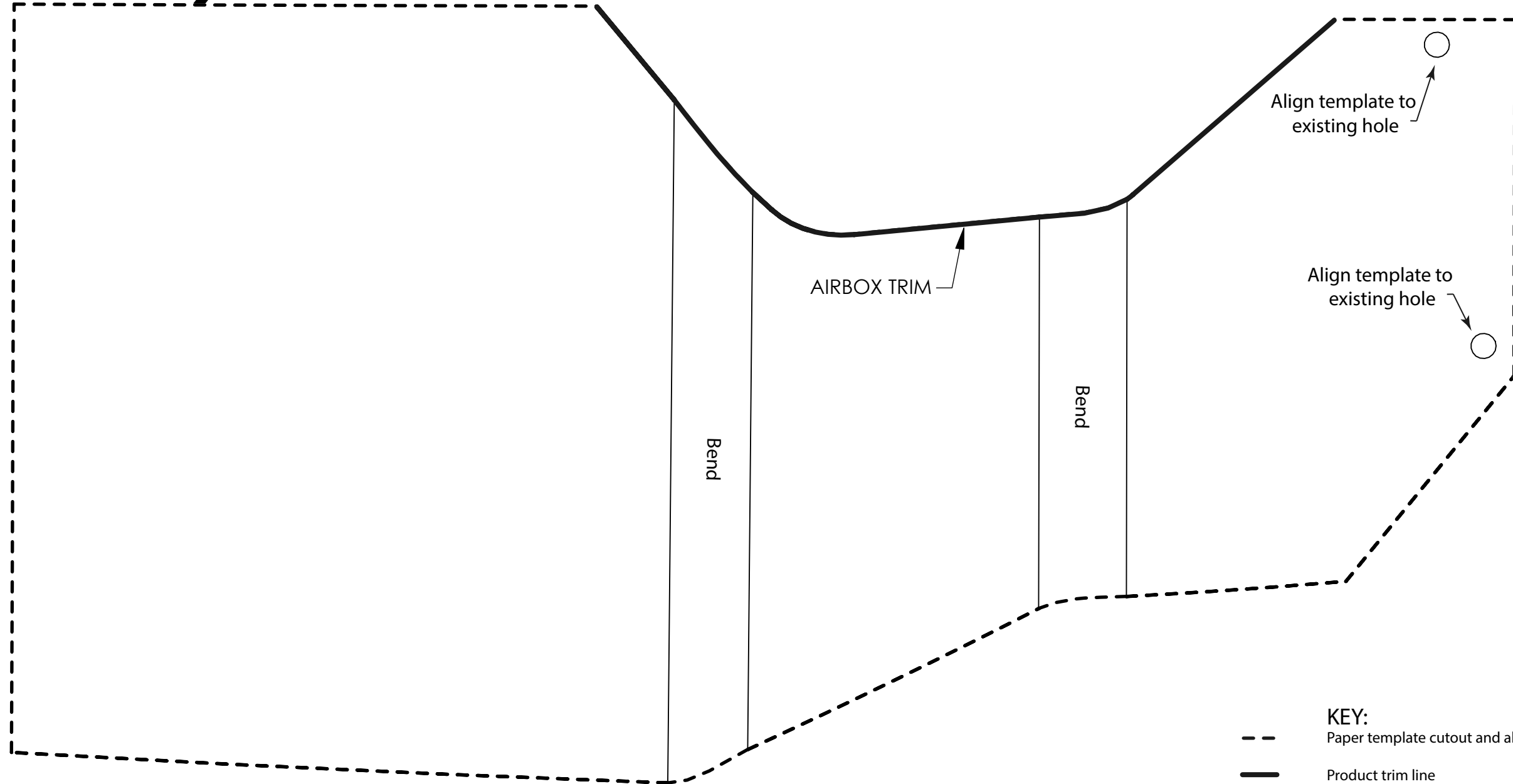
11x17 Print



8.5x11 Print alignment feature



Template location on bottom plane of airbox:



8.5x11 Print alignment feature

KEY:

-- Paper template cutout and alignment features

— Product trim line

— Form change reference lines