



Universal Light Mount Bracket

2018+ JL Wrangler

2020+ JT Gladiator

NEW PRODUCT

Please visit www.aev-conversions.com to view the most current installation guide for this product.

This is a new product and we want to make sure that you receive the latest and most accurate information based on customer feedback, product revisions, and/or model year updates. We value customer feedback, so we encourage you to contact our Technical Support department if you have any suggestions on how to make the installation of this product easier or if you have any questions regarding the installation of this product. AEV's Technical Support can be reached by email at tech@aev-conversions.com or by giving us a call at (248)-926-0256.



PLEASE READ BEFORE YOU START

To guarantee a quality installation, we recommend reading these instructions thoroughly before beginning any work. These instructions assume a certain amount of mechanical ability and are not written nor intended for someone not familiar with auto repair.

INCLUDED PARTS	QTY	REQUIRED TOOLS
AEV Light Mount Bracket	2	M18 Socket Wrench
M12 Hex Head Bolt	2	Torque Wrench
M12 Washer	2	
Spacer	2	

NOTE: This product is designed to be paired with AEV's Wrangler EX/RX Front Bumper systems.

I. BRACKET INSTALLATION

1. Using the existing AEV JL Front Bumper light mount holes (*figure 1*), align the provided spacer (2) and mounting bracket (3).
2. Insert the M12 Hex Head Bolt (4) with washer (1) through the mounting bracket and spacer into the mounting hole.
3. Torque to 92 lb-ft.

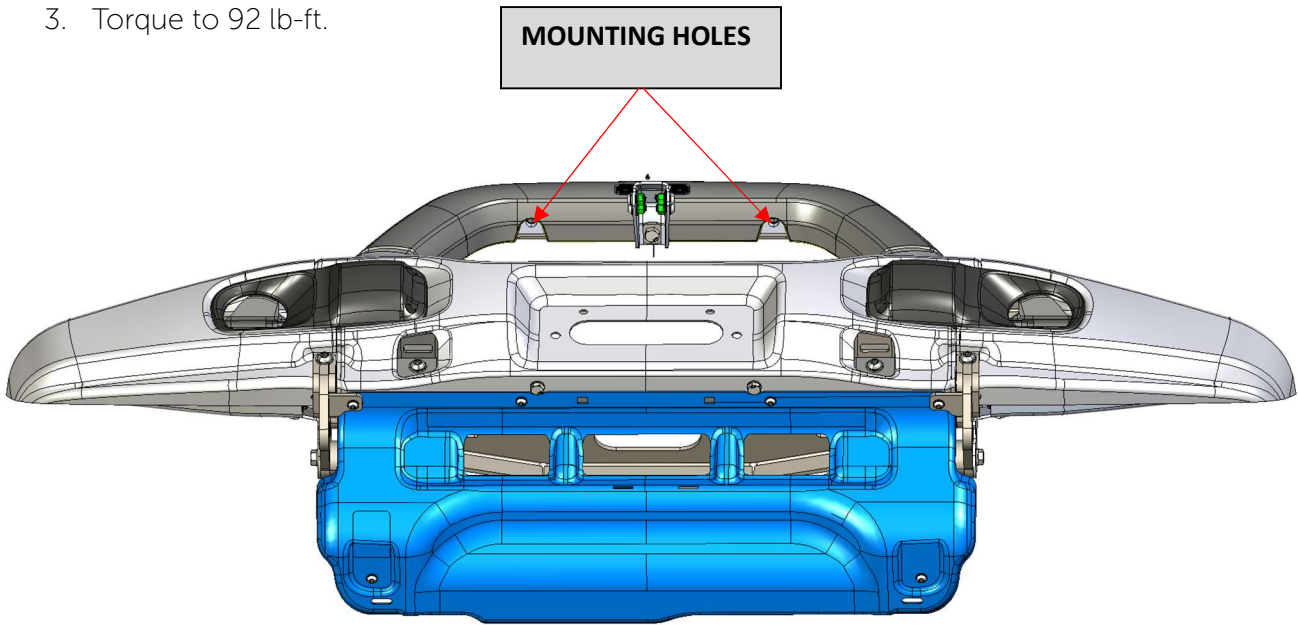


Figure 1

