



2024+ 2/3500 HD Chevrolet

Silverado ZR2 BISON

LIGHT BAR

Please visit www.aev-conversions.com to view the most current installation guide for this product.

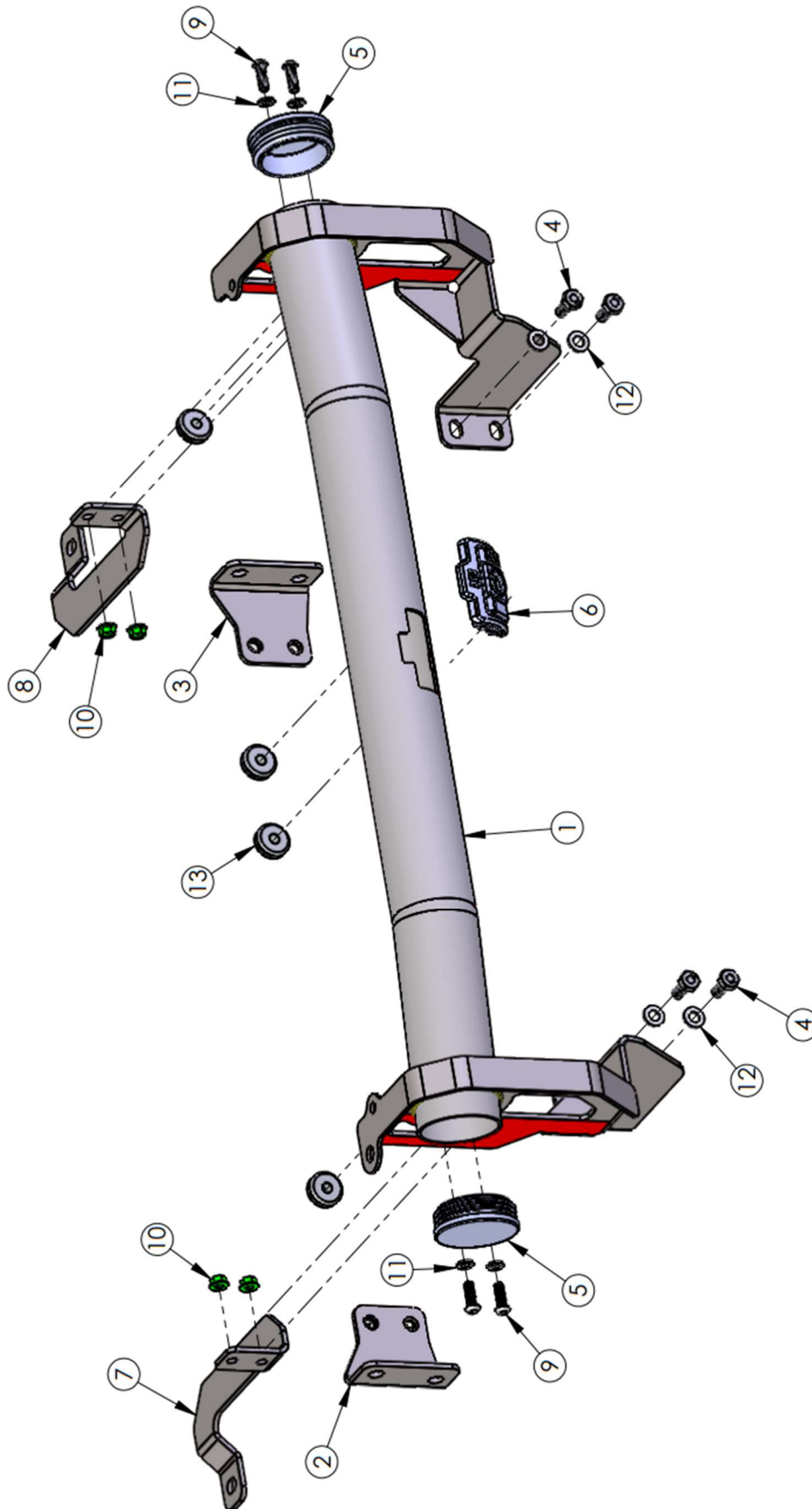
This is a new product and we want to make sure that you receive the latest and most accurate information based on customer feedback, product revisions, and/or model year updates. We value customer feedback, so we encourage you to contact our Technical Support department if you have any suggestions on how to make the installation of this product easier or if you have any questions regarding the installation of this product. AEV's Technical Support can be reached by email at tech@aev-conversions.com or by giving us a call at (248)-926-0256.



PLEASE READ BEFORE YOU START

To guarantee a quality installation, we recommend reading these instructions thoroughly before beginning any work. These instructions assume a certain amount of mechanical ability and are not written nor intended for someone not familiar with auto repair.

| INCLUDED PARTS | QTY | REQUIRED TOOLS |
|--------------------------|------------|-----------------------|
| Light Bar | 1 | Common Hand Tools |
| RH Attach Bracket | 1 | T8 Torx |
| LH Attach Bracket | 1 | T10 Torx |
| RH Reinforcement Bracket | 1 | |
| LH Reinforcement Bracket | 1 | |
| Hardware Pack | 1 | |
| Camera Bezel | 1 | |





| ITEM NO. | PartNo | DESCRIPTION | QTY. |
|----------|-------------|---|------|
| 1 | ATHB0610AA | TUBE WELDMENT, T1 HD LIGHT BAR | 1 |
| 2 | ATHB0612AA | L ATTACH BRKT RH WELDMENT, T1 HD LIGHT BAR | 1 |
| 3 | ATHB0613AA | L ATTACH BRKT LH WELDMENT, T1 HD LIGHT BAR | 1 |
| 4 | AEV91145AA | Bolt, HCS, M10-1.5x25 - 10.9 - PS11036-Black | 4 |
| 5 | CCF_3_14_18 | PLUG, ROUND TUBING, 3IN | 2 |
| 6 | ATHB5018AA | CAMERA BEZEL 1PC, T1 HD BRUSH GUARD | 1 |
| 7 | ATHB6018AA | UPR REINF BRKT RH, T1 HD LIGHT BAR | 1 |
| 8 | ATHB6019AA | UPR REINF BRKT LH, T1 HD LIGHT BAR | 1 |
| 9 | AEV91018AB | Bolt, BHCS, M8-1.25x25 - 10.9 - PS-Black | 4 |
| 10 | 11546377 | M8 X 1.25 HEX FLANGE NUT | 4 |
| 11 | AEV98007AB | Washer, M8 - PS-Black (91166A270) | 4 |
| 12 | AEV98006AA | Washer, M10 - PS5873-Black | 4 |
| 13 | 9307K878 | RUBBER GROMMET FOR 1" DIA HOLE, 1/4" THK MAT'L, 3/8" ID | 4 |

READ DIRECTIONS FULLY BEFORE BEGINNING

If installing winch into AEV Bumper, install Attach Brackets (INSTALLATION Steps 1 & 2) DURING winch installation for helpful sequencing.

Grille fascia and retaining clips are plastic and prone to damage if pried incorrectly.

Handle all electrical components/wiring with caution and care.

I. VEHICLE PREPARATION

FACTORY GRILLE REMOVAL

Remove factory grille fascia from body to remove front camera. Save any hardware for later re-use.

1. Remove hood latch. See Fig. 1
 - i [2] T15 bolts hold hood latch (green).
2. Remove plastic trim piece from engine bay. See Fig. 1
 - i [9] plastic clips retain trim to hood (yellow).



Figure 1

3. Partially remove plastic flare on front portion of fascia up to sheet metal of vehicle. See Fig. 2
 - i To ease removal, squeeze retaining clips on backside of flare to disengage clip and pull away from fascia plastic.
 - ii NOTE: a 9/32" (7mm) socket can be used to press down on backside of retaining clip while pulling flare from fascia.

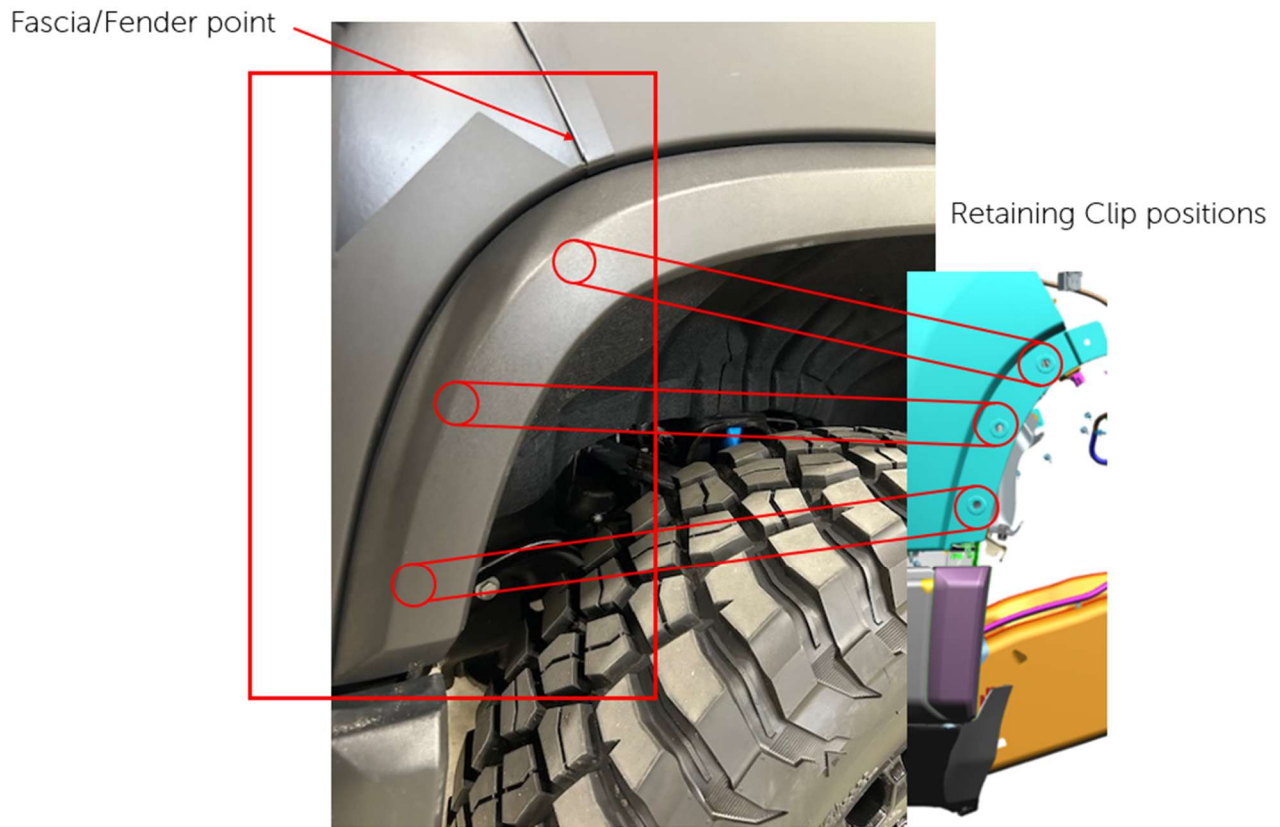


Figure 2

4. Remove bolts holding upper grille to body. – See Fig. 3

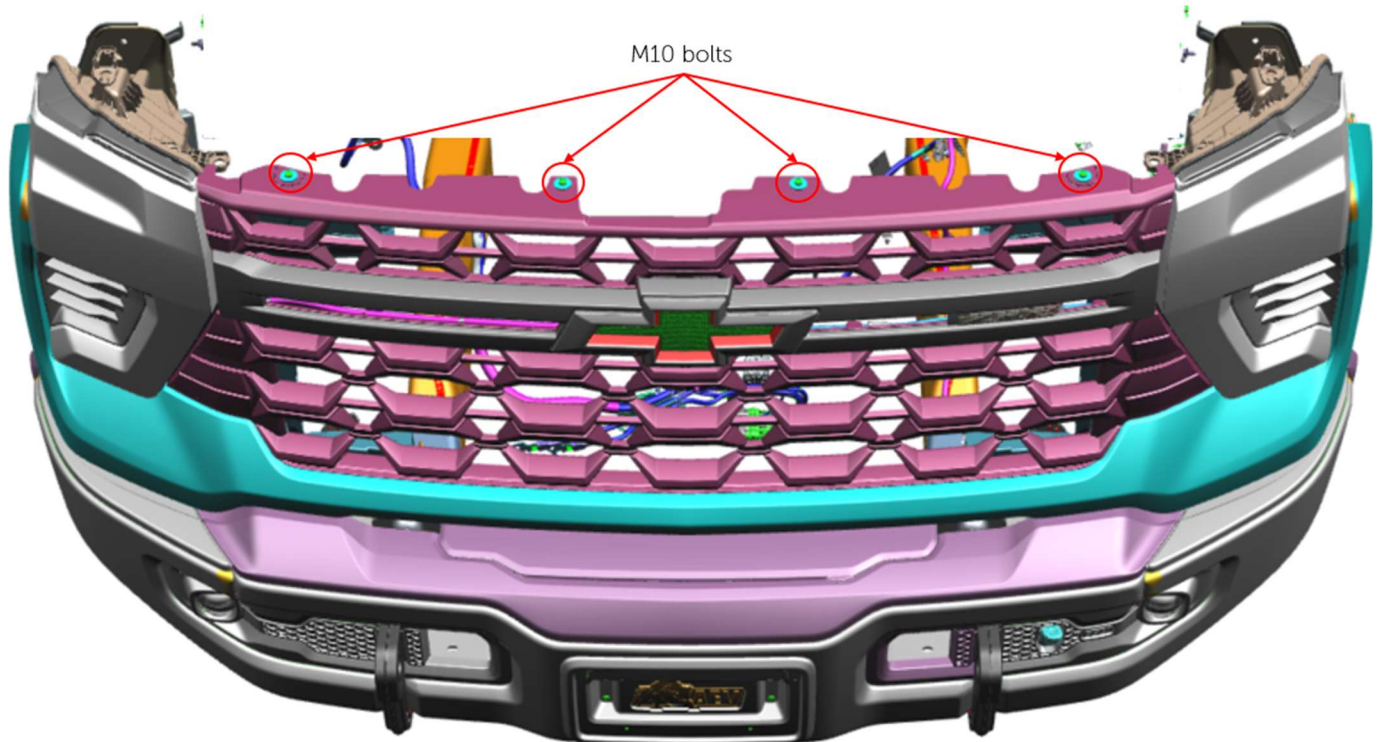


Figure 3

5. Disengage 'seatbelt' clips from grille fascia, fender, and headlamp. – See Fig. 4

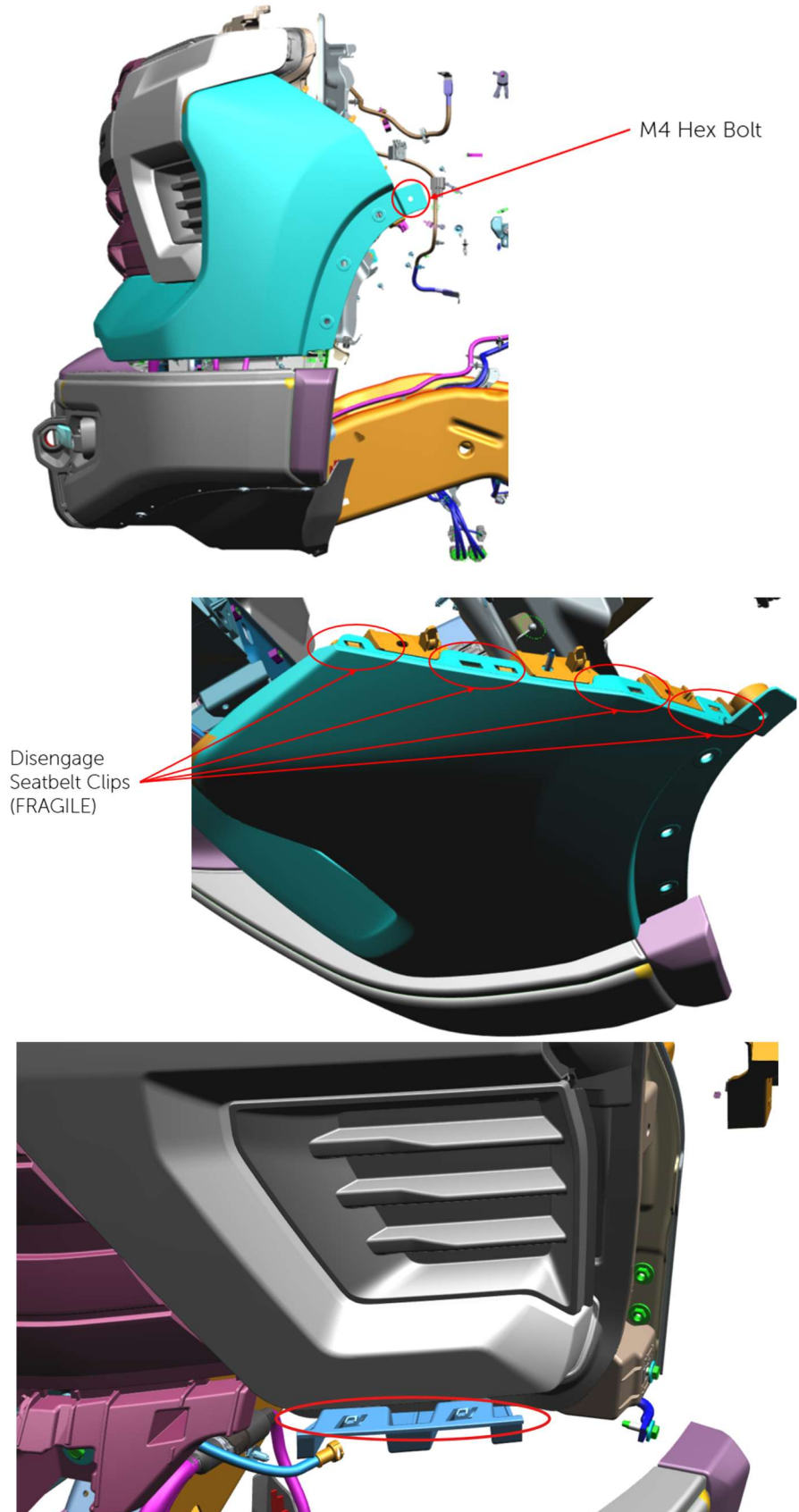


Figure 4

6. Disengage 6 retaining clips of grille fascia from body. – See Fig. 5

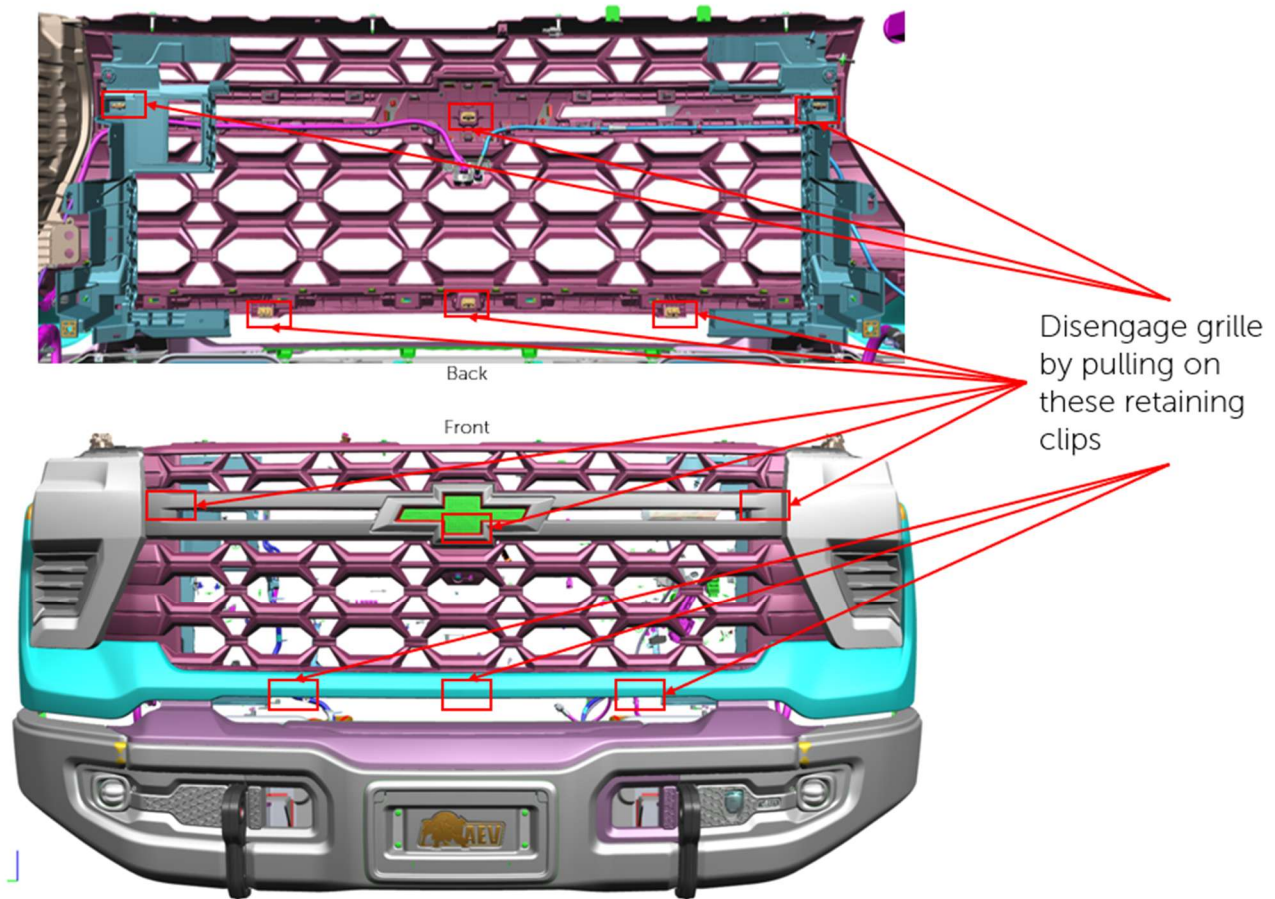


Figure 5

GRILLE SHOULD BE LOOSE FROM VEHICLE

7. Before fully removing grille fascia, disengage front camera and wiper fluid harnesses from vehicle. See Figs. 6 & 7

- i Harness section should remain in grille (for later removal)



Figures 6 & 7

B. Carefully rest grille on safe surface so backside is accessible.

ON BACKSIDE OF CHEVY GRILLE

8. Disconnect camera harness from camera. Leave Camera Bezel inside grille.

A. Fully disconnect camera harness from grille fascia retention – this will re-route through AEV Light Bar. – Fig. 8

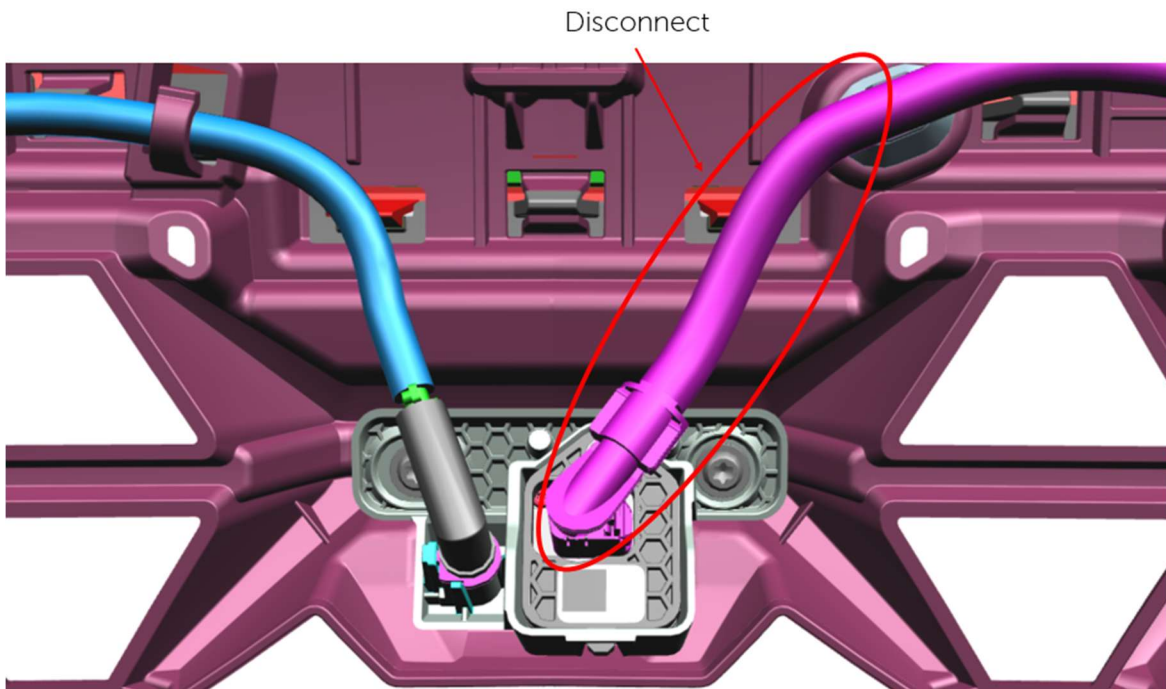


Figure 8

9. Disconnect wiper fluid harness from camera bezel.
 - A. Fully disconnect wiper fluid harness from grille fascia retention – this will re-route through AEV Light Bar. - Fig. 9

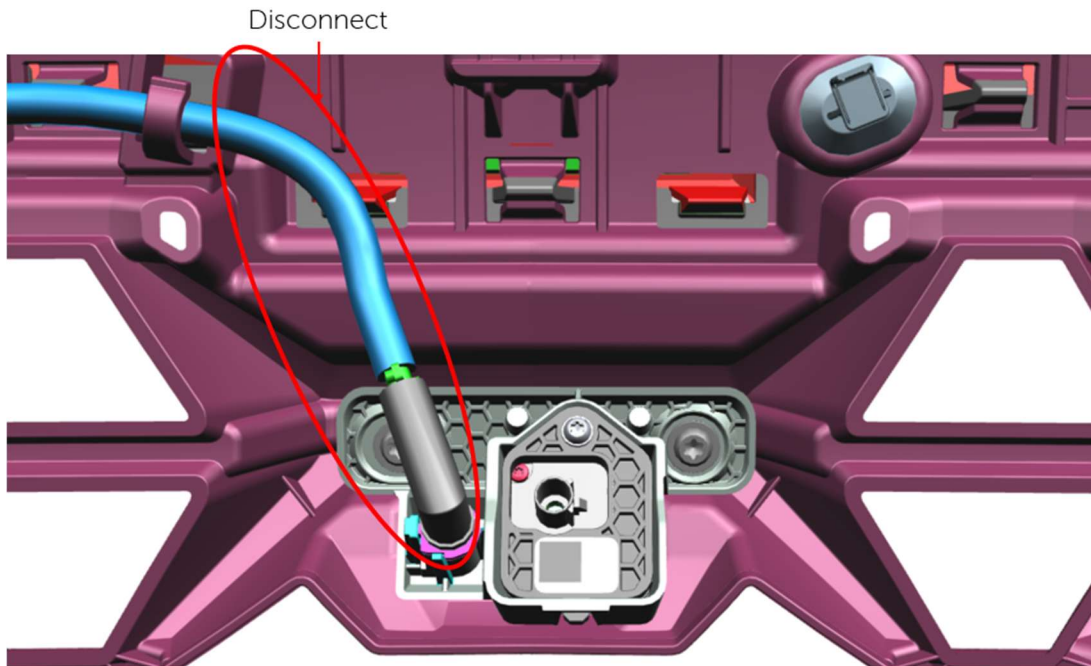


Figure 9

10. Disconnect camera from camera bezel. Leave camera bezel inside grille. - Fig. 10
 - A. [1] T8 Torx bolt holds camera inside bezel.
 - i. Save factory camera bezel backing **AND** T8 Torx bolt for AEV camera bezel install. Handle with care

Remove and Keep

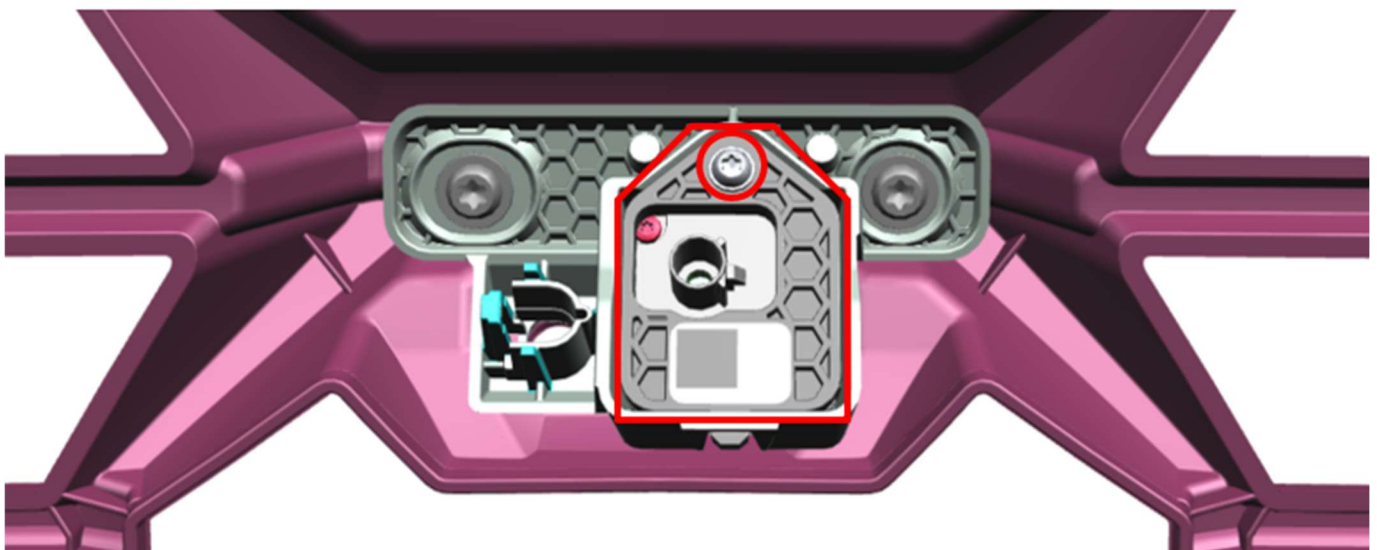


Figure 10



Figure 11

11. Remove bumper M12 bolts (Save for Reinforcement Bracket Installation)

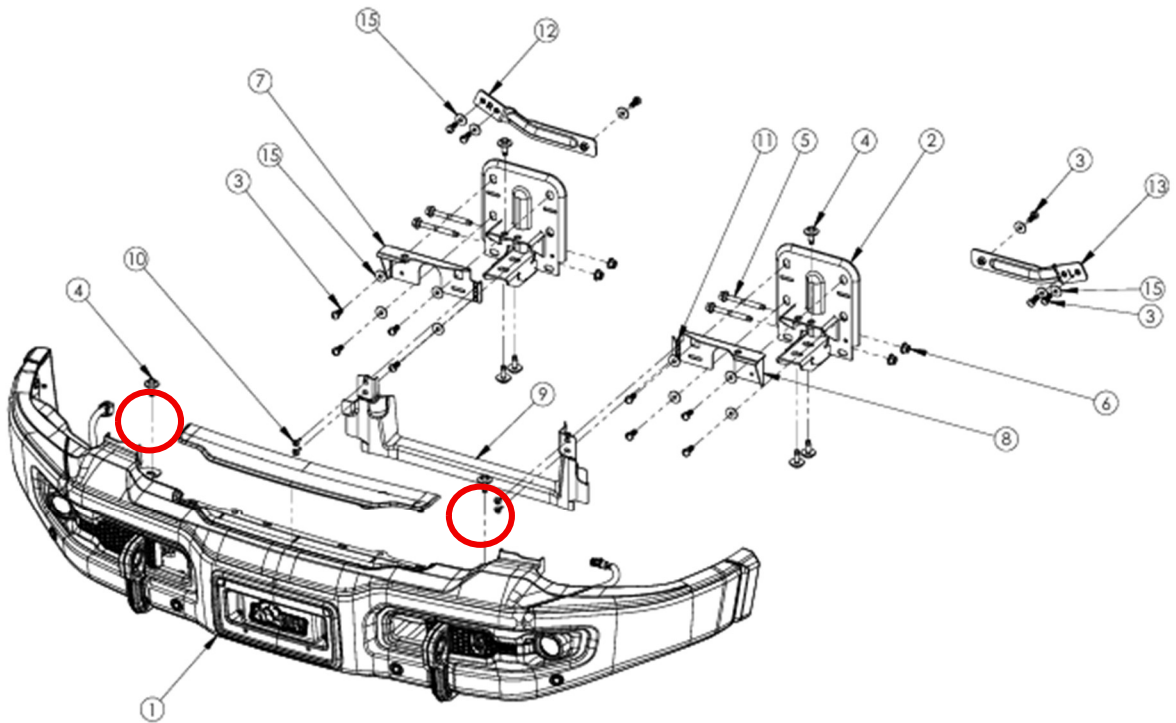


Figure 12

II. INSTALLATION

ATTACH BRACKET INSTALLATION

1. Using a M18 ratchet, remove [2] M12 bolts from tow hook from both sides of AEV Front Bumper.

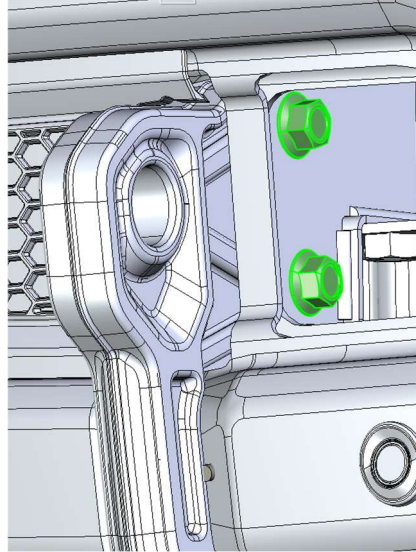


Figure 13

2. With same hardware from previous step, assemble RH/LH Attach Brackets through fog bezel opening of bumper.
 - A. Tighten Tow Hook M12 bolts to 73 ft-lb (100NM)
 - B. Loosening bottom T40 Tow Hook bolt helps adjust AEV Tow Hook during assembly.
 - i Retorque to 17 ft-b (23NM) if loosened during install.
 - C. Assemble brackets so there is an equal amount of height top and bottom of opening.



Figures 14 & 15

AEV LIGHT BAR INSTALLATION

3. Locate from AEV Hardware Pack:
 - A. AEV91145AA – QTY 4 – M10 Hex Head Cap Bolt
 - B. AEV98006AA – QTY 4 – M10 Washer
4. Loosely install AEV Light Bar utilizing M10 hex cap screws, and M10 washer to the brackets recently installed. - Fig. 16

NOTE: ENSURE AEV FOG BEZEL PLASTIC IS INSTALLED IF TAKEN OFF AT ANY POINT

- A. [2] 25mm length bolts per side hold Light Bar to Attach Brackets.
- B. Fully torque when centered inside bezel to 44 ft-lb (60NM)



Figure 16

5. Using AEV Camera Bezel provided along with factory camera and backing (Step 8 & 9 of VEHICLE PREPARATION), install factory camera and backing to AEV Camera Bezel utilizing saved hardware.



Figure 17

6. With camera and wiper fluid harnesses removed from grille fascia, re-attach each harness to original connection points on vehicle (Step 7/8 of VEHICLE PREPARATION).
7. Route each harness through backside of Light Bar, and feed connections through front AEV Light Bar camera bezel opening. See Fig. 18

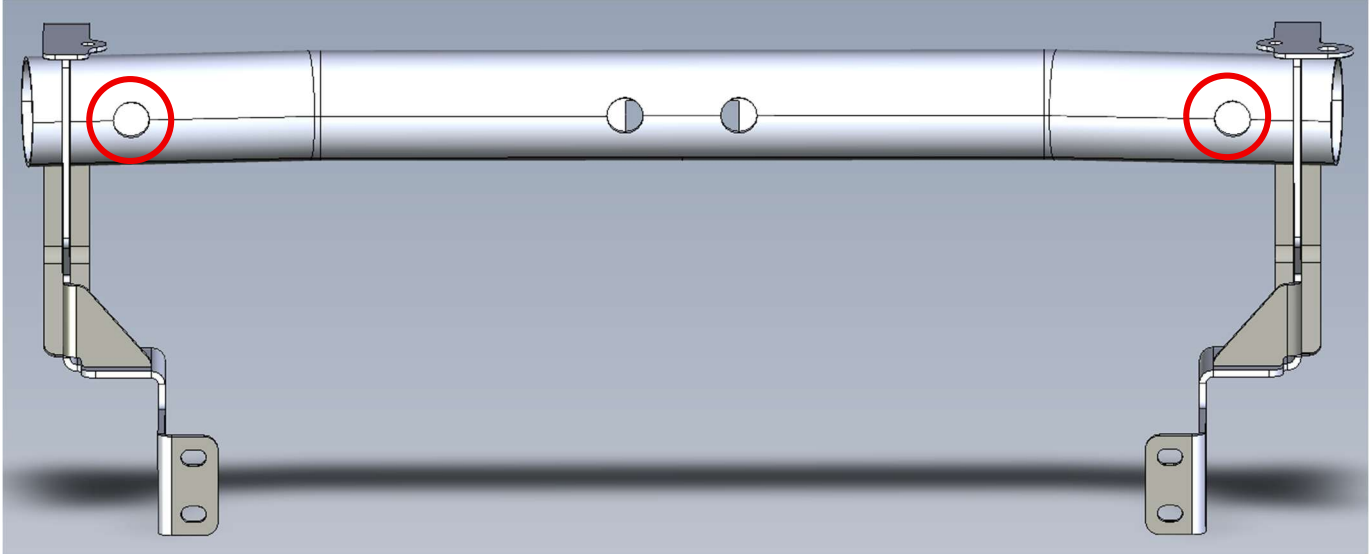


Figure 18

- A. Locate from Hardware Pack:
 - i 9307K878 – QTY 4 – 1" Rubber Grommet
- B. With supplied 1" rubber grommet, make a small incision so grommet can fit around harness cables, and plug grommets into backside of AEV Light Bar.
 - i Possible to feed harnesses through for highest perceived quality.



Figure 19

8. Attach camera harness and wiper fluid to AEV Camera Bezel, install (by hand) AEV Camera Bezel until it 'clicks' inside AEV Light Bar opening.
 - A. Verify camera orientation by viewing camera inside cab of vehicle BEFORE clicking in.
 - B. 1" Service holes present on back of tubing giving access to clips if needed.
 - C. 1" Rubber grommets provided to fill-in hole



Figure 20

REINFORCEMENT BRACKET INSTALLATION

9. With hardware from Step 11 of VEHICLE PREPARATION, loosely attach reinforcement bracket to AEV Front Bumper.



Figure 21

10. Locate from AEV Hardware Pack:
 - A. AEV91018AB – QTY 4 - M8 Button Head Cap Bolt
 - B. AEV98007AB – QTY 4 – M8 Washer
 - C. 11546377 – QTY 4 – M8 Hex Flange Nut
11. Assemble screw/washer/nut combo holding reinforcement brackets through AEV Light Bar.



Figure 22

12. With Reinforcement Brackets installed to AEV Front Bumper and Light Bar, fully torque as follows:
 - A. M8 – 17 ft-lb (23NM) – installed step 11 (Light Bar/Reinforcement Bracket)
 - B. M10 – 44 ft-lb (60NM) – installed step 4 (Attach Bracket/Light Bar)
 - C. M12 – 72 ft-lb (100NM) – installed step 2 & 9 (Attach Bracket/AEV Tow Hook + Reinforcement Bracket/AEV Front Bumper)



III. CLOSEOUT

1. Locate from AEV Hardware Pack:
 - A. CCF-3-14-18 – QTY 2 – 3" Tube Plug
2. Insert 3" Tube Plug into both ends of AEV Light Bar
3. Re-Attach Chevrolet Grille reversing steps to take off.