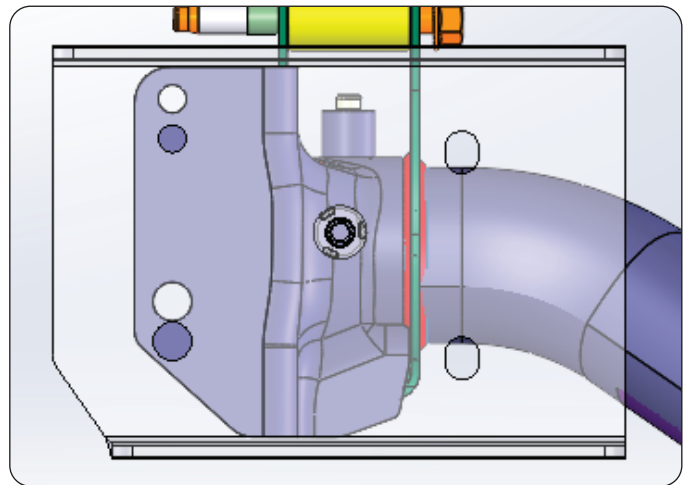
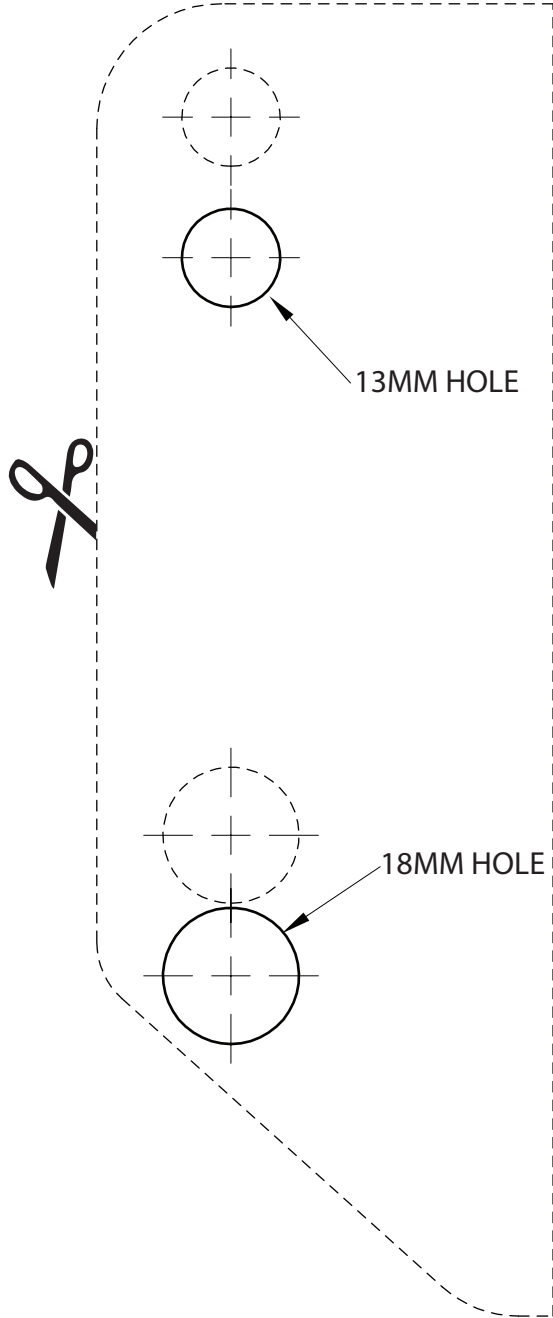




AEV30519AA LH TEMPLATE 2020+ GM HD REAR BUMPER HITCH DRILL TEMPLATE



—— PRODUCT REFERENCE FEATURE
----- TRIM TEMPLATE REFERENCE FEATURE

8" REFERENCE WIDTH
8.5" X 11" - PRINT AT 100% - DO NOT SCALE